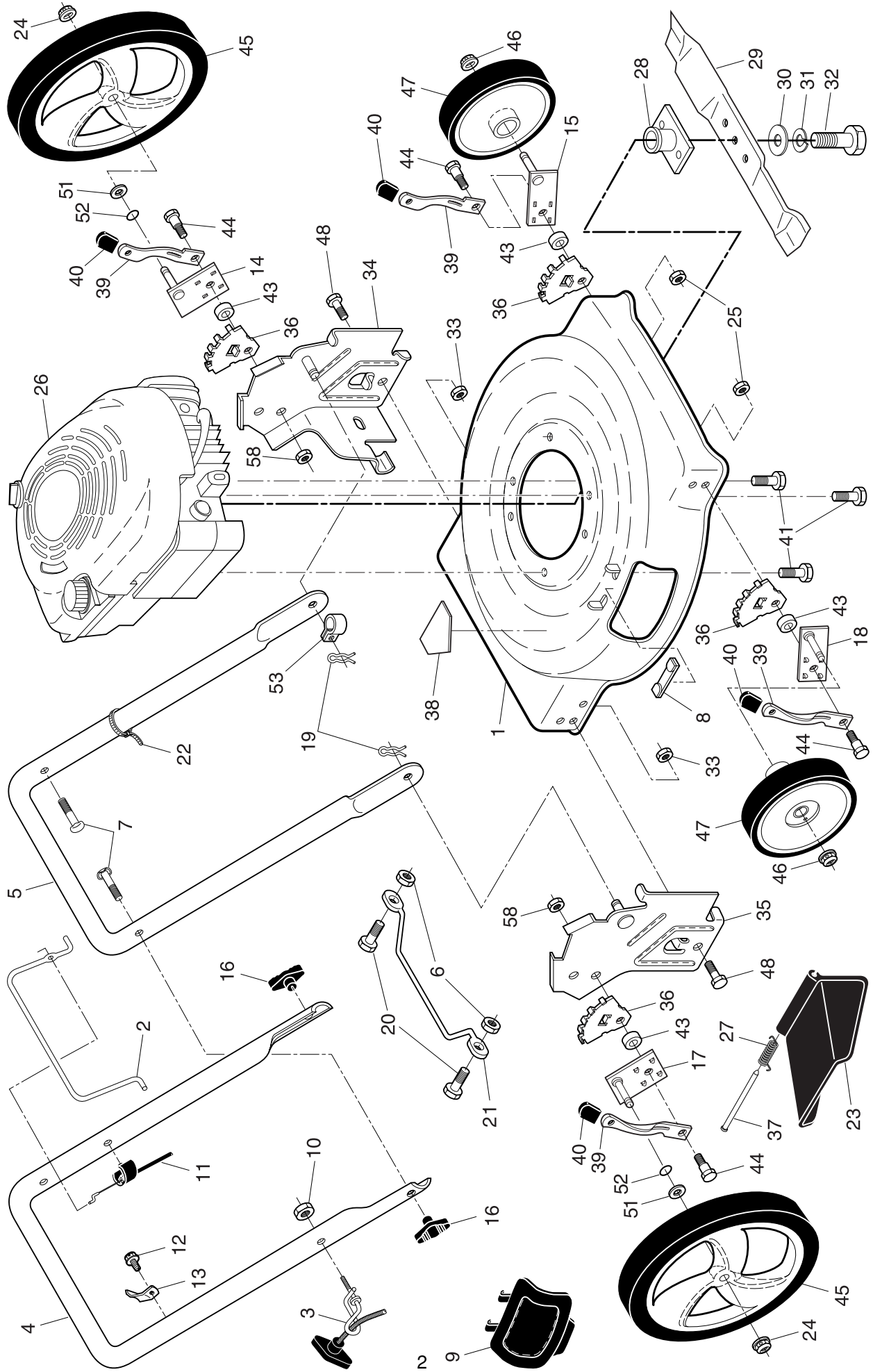


ILLUSTRATED PARTS LIST

MODEL NUMBER P5056SM
PRODUCT NUMBER 961 11 00-20
MFG. ID. NUMBER 96111002000

ROTARY LAWN MOWER -- MODEL NUMBER P5056SM (96111002000) PRODUCT NUMBER 961 11 00-20



ROTARY LAWN MOWER - - MODEL NUMBER P5056SM (96111002000) PRODUCT NUMBER 961 11 00-20

KEY NO.	PART NO.	DESCRIPTION	KEY NO.	PART NO.	DESCRIPTION
1	532 40 07-26	Lawn Mower Housing (Includes Key Number 38)	27	532 19 34-36	Torsion Spring
2	532 19 55-74	Control Bar	28	532 19 37-07	Blade Adapter
3	532 19 47-88	Rope Guide	29	532 19 93-79	22" Blade
4	532 19 55-47	Upper Handle	30	532 85 10-74	Hardened Washer
5	532 17 42-91	Lower Handle	31	532 85 02-63	Helical Lockwasher 3/8
6	532 06 91-80	Locknut, Hex 1/4-20	32	532 85 10-84	Hex Head Screw 3/8-24 x 1/4 Grade 8
7	532 19 15-74	Handle Bolt 5/16-18	33	873 80 05-00	Locknut, Hex 5/16-18
8	532 16 16-22	Clip, Closeout	34	532 40 35-08	Wheel Bracket, Support, LH
9	532 16 08-30	Plate, Mulcher	35	532 40 35-07	Wheel Bracket, Support, RH
10	532 13 20-04	Nut, Hex	36	532 16 57-04	Wheel Bracket, Adjuster
11	532 15 81-52	Engine Zone Control Cable	37	532 16 08-33	Hinge Rod
12	532 75 06-34	Hex Thread Rolling Screw #10-24 x1/2	38	532 18 21-66	Danger Decal
13	532 12 52-03	Up-Stop Bracket	39	532 16 85-99	Selector Spring
14	532 18 36-62	Axle Arm Assembly (Rear, LH)	40	532 08 78-77	Selector Knob
15	532 18 92-77	Axle Arm Assembly (Front, LH)	41	532 15 04-06	Hex Head Thread Rolling Screw 3/8-16 x 1
16	532 19 19-38	Handle Knob	43	532 18 39-01	Washer
17	532 18 36-61	Axle Arm Assembly (Rear, RH)	44	532 16 08-28	Shoulder Bolt
18	532 18 92-78	Axle Arm Assembly (Front, RH)	45	532 40 35-09	Wheel & Tire Assembly, Rear, 12"
19	532 05 17-93	Hairpin Cotter	46	532 08 39-23	Locknut, Hex 5/16-18
20	532 08 58-25	Hex Head Screw 1/4	47	532 40 34-95	Wheel & Tire Assembly, Front, 8"
21	532 15 41-47	Footguard	48	874 76 05-14	Hex Head Bolt 5/16-18 x 7/8
22	532 06 64-26	Wire Tie	51	532 19 74-80	O-Ring
23	532 16 08-31	Discharge Guard	52	532 08 83-48	Washer
24	532 14 52-12	Locknut, Hex	53	532 19 79-91	Clip, Cable
25	532 16 67-85	Nut, Hex	58	532 75 11-53	Locknut, Hex 5/16-18
26	- - -	Engine, Briggs & Stratton, Model Number 12F802 (Order parts from engine manufacturer)	- -	532 18 21-91	Warning Decal (not shown)
			- -	532 40 24-24	Operator's Manual, European
			- -	532 40 24-26	Operator's Manual, Scandinavian

NOTE: All component dimensions given in U.S. inches. 1 inch = 25.4 mm. **IMPORTANT:** Use only Original Equipment Manufacturer (O.E.M.) replacement parts. Failure to do so could be hazardous, damage your lawn mower and void your warranty.